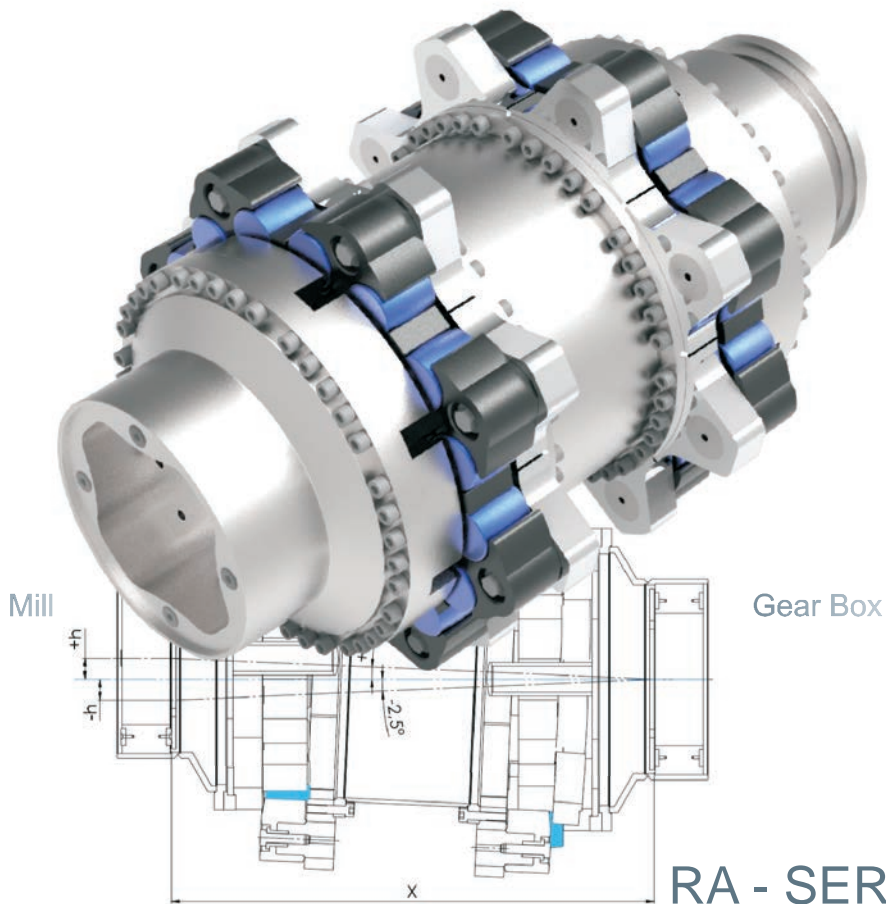


TAILFLEX

THE NEW GENERATION
SUGARCANE MILL MISALIGNMENT COUPLING

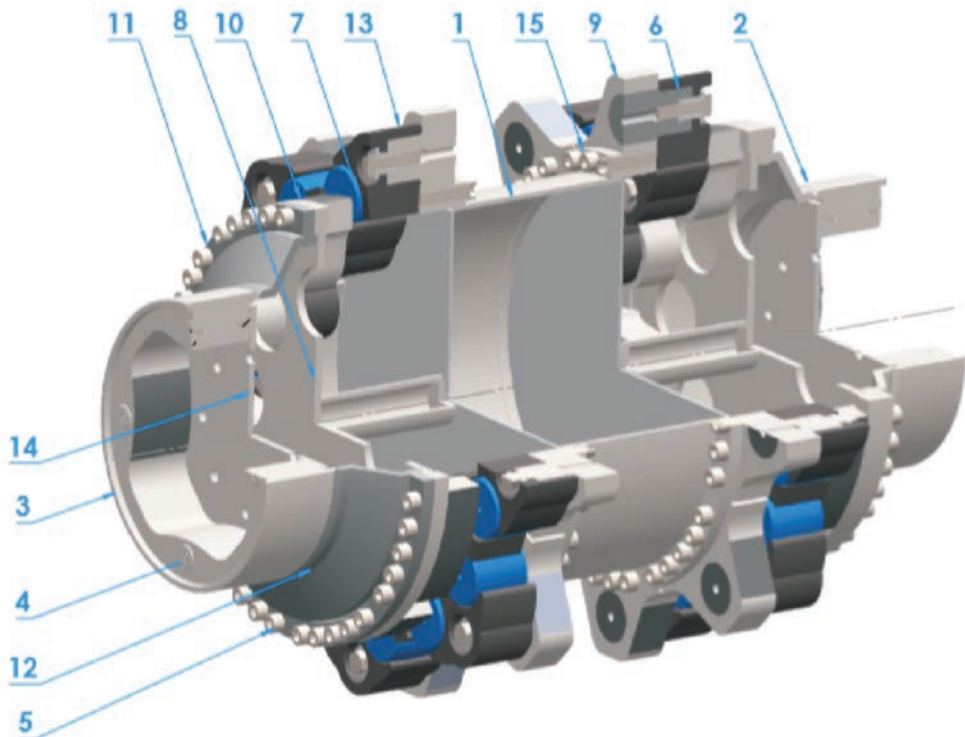


RA - SERIES

A MATBOX DESIGN

marino.matosevic@matbox-consultants.com

cell. +33 603104675

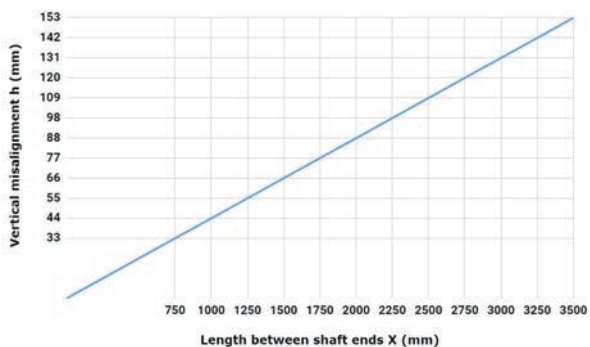


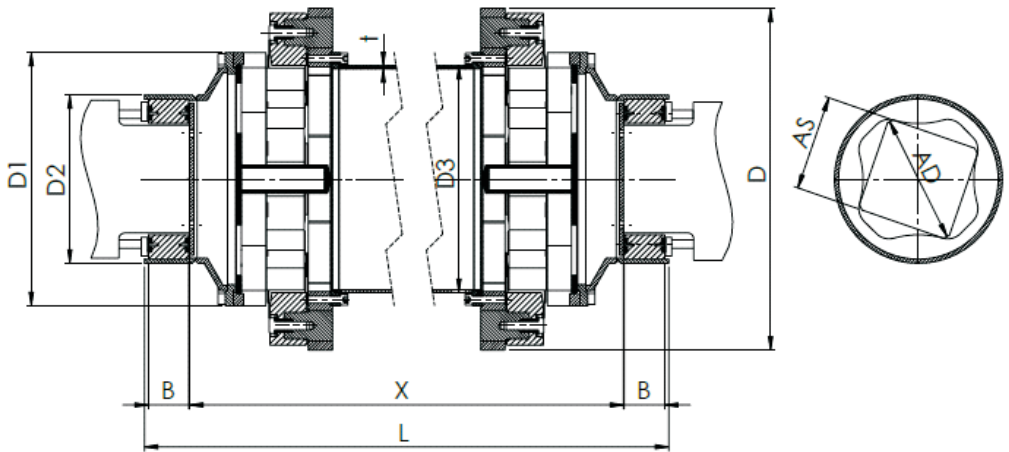
ITEM	DESIGNATION
1	Intermediate shaft
2	Mill hub
3	Gearbox hub
4	Friction pad
5	Bolts

ITEM	DESIGNATION
6	Pin
7	Barrel pin
8	Retaining plate
9	Upper pin plate
10	Middle flange

ITEM	DESIGNATION
11	Flange
12	Conic tube
13	Rocker Arm
14	Square shaft plate
15	Upper pin flange

MISALIGNMENT UNDER LOAD WITH SHAFT MAX INCLINATION $\alpha=2.5^\circ$





SIZE	TLF	RA19	RA28	RA42
NOMINAL TORQUE CAPACITY	kNm	1900	1900	4200
AD ⁽¹⁾		624	690	790
AS ⁽¹⁾		500	550	650
B ⁽²⁾		200	280	380
D		1688	1999	2305
D1		1250	1556	1900
D2		830	925	1055
D3		1120	1370	1700
t		15	25	25
X		2000	2000	2000
L		2447	2627	2807
Weight (kg) ⁽³⁾		6405	9612	12680
Weight for extra X length of 100 mm		40	83	102

Dimensions (mm) are given as reference, and can be changed without further notice

⁽¹⁾ Maximum standard square shaft dimensions. Can be different as per installation request for square or cylindrical shafts.

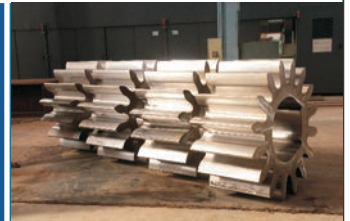
⁽²⁾ For standard dimensions and X = 2000 mm

Example of designation: **TLF RA19 X2000**

TAILFLEX misalignment coupling for sugar mill **1900 kNm** with distance between square shaft ends **2000 mm**.



State-of-the-art CNC machine-based manufacturing



EXCLUSIVE REPRESENTATION :

UTTAM SUCROTECH
INTERNATIONAL

H-194, Sector-63,
NOIDA - 201301, U.P. India
Tel.: +91-120-4726400

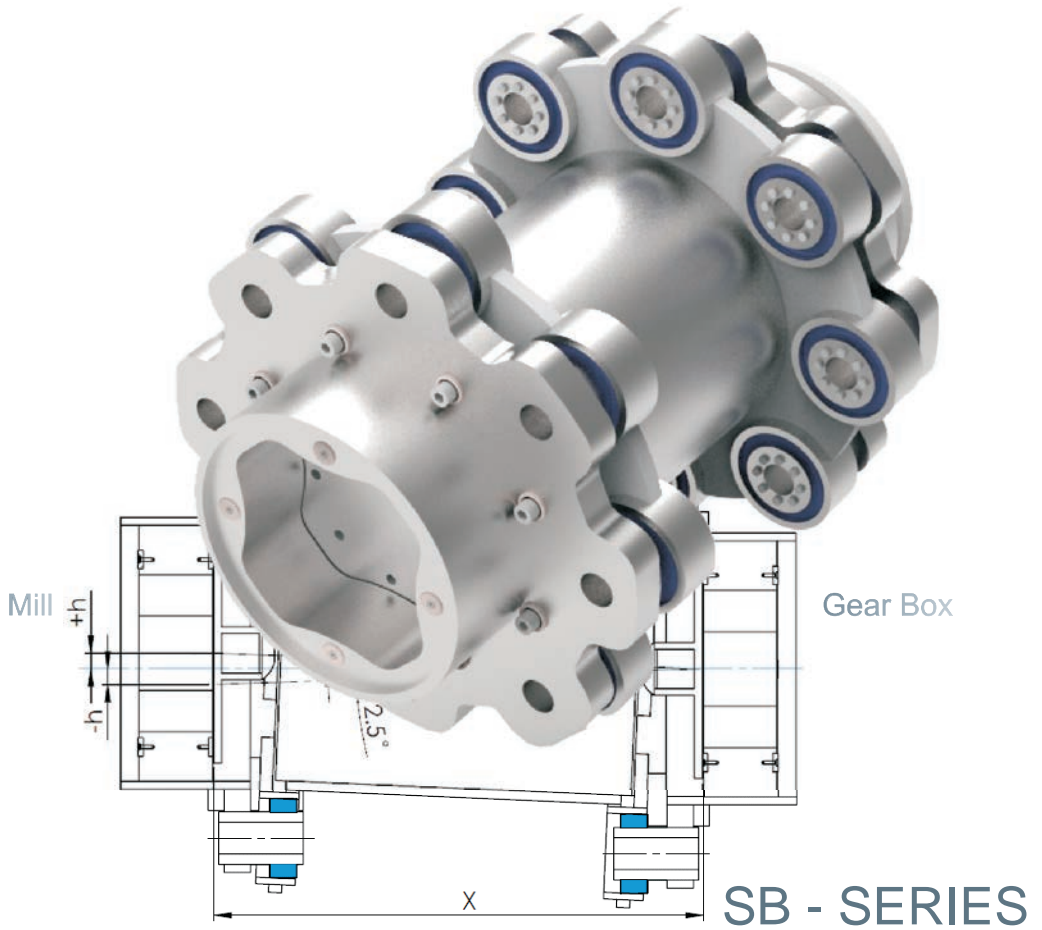
email: info@usipl.com
www.usipl.com

CERTIFIED FOR
Integrated Management
System (IMS) by
Lloyd Register UK



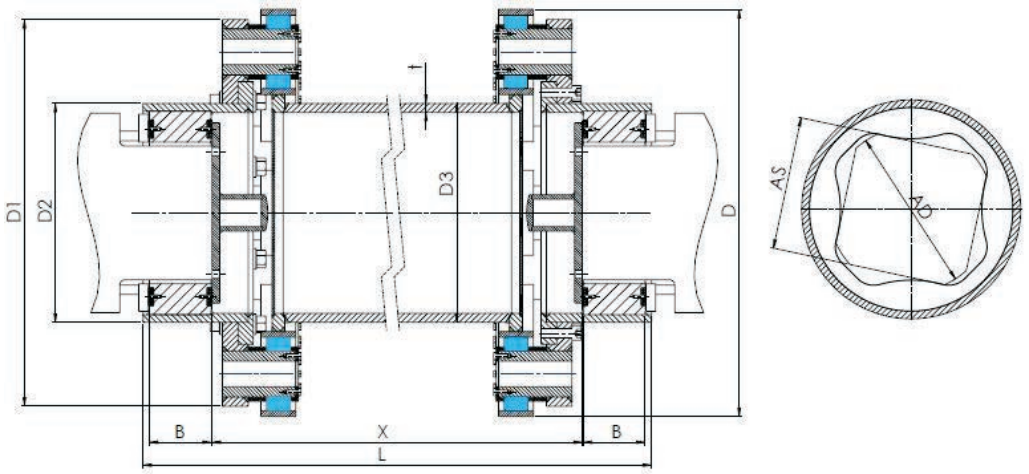
TAILFLEX

THE NEW GENERATION
SUGARCANE MILL MISALIGNMENT COUPLING



A MATBOX DESIGN

marino.matosevic@matbox-consultants.com
cell. +33 603104675



SIZE	TLF	SB 3	SB 7	SB 10	SB 13	SB 16	SB 22	SB 26	SB 34
NOMINAL TORQUE CAPACITY	kNm	300	700	1000	1300	1600	2200	2600	3400
AD ⁽¹⁾		325	400	470	515	592	624	690	790
AS ⁽¹⁾		250	300	350	400	450	500	550	600
B ⁽¹⁾		200	200	220	240	240	240	280	280
D		895	1075	1220	1300	1470	1580	1750	1850
D1		895	1050	1200	1300	1400	1500	1700	1770
D2		515	585	655	730	790	850	925	1450
D3		515	585	655	730	790	850	1000	1500
t		20	20	30	30	35	35	35	40
X		1500	1500	1500	1500	1500	1500	1500	1500
L		1907	1957	1987	2037	2037	2037	2117	2117
Weight (kg) ⁽²⁾		1290	1840	2780	3320	4402	4950	6280	7187
Weight for extra X length of 100 mm		22	28	46	42	62	70	83	100

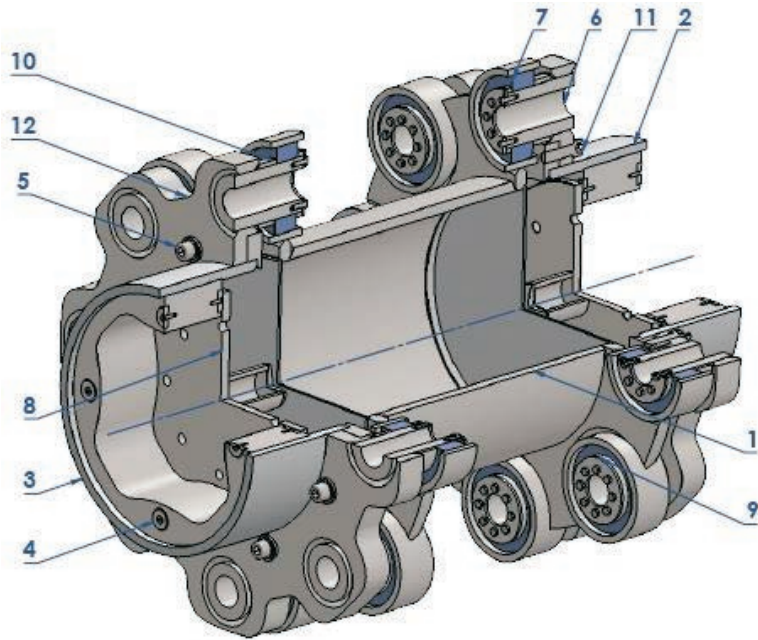
Dimensions (mm) are given as reference, and can be changed without further notice

⁽¹⁾ Maximum standard square shaft dimensions. Can be different as per installation request for square or cylindrical shafts.

⁽²⁾ For standard dimensions and X = 1500 mm

Example of designation: **TLF SB16 X1500**

TAILFLEX misalignment coupling for sugar mill **1600 kNm** with distance between square shaft ends **1500 mm**.

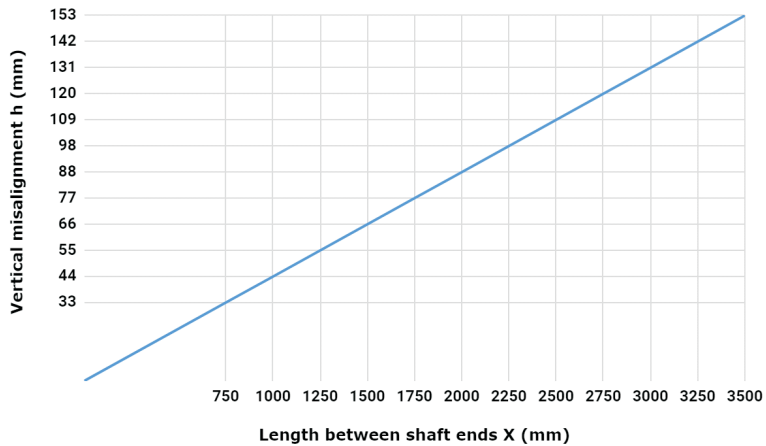


ITEM	DESIGNATION
1	Intermediate shaft
2	Mill hub
3	Gearbox hub
4	Friction pad

ITEM	DESIGNATION
5	Shear Pin
6	Hollow pin
7	Barrel sleeve
8	Retaining plate

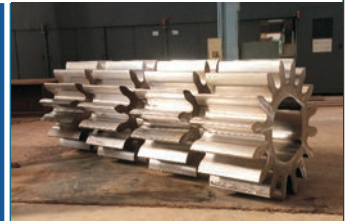
ITEM	DESIGNATION
9	Barrel sleeve retaining plate
10	Barrel sleeve retaining tube
11	Flange bolts
12	Flange

MISALIGNMENT UNDER LOAD WITH SHAFT MAX INCLINATION $\alpha=2.5^\circ$





State-of-the-art CNC machine-based manufacturing



EXCLUSIVE REPRESENTATION :

UTTAM SUCROTECH
INTERNATIONAL

H-194, Sector-63,
NOIDA - 201301, U.P. India
Tel.: +91-120-4726400

email: info@usipl.com
www.usipl.com

CERTIFIED FOR
Integrated Management
System (IMS) by
Lloyd Register UK

